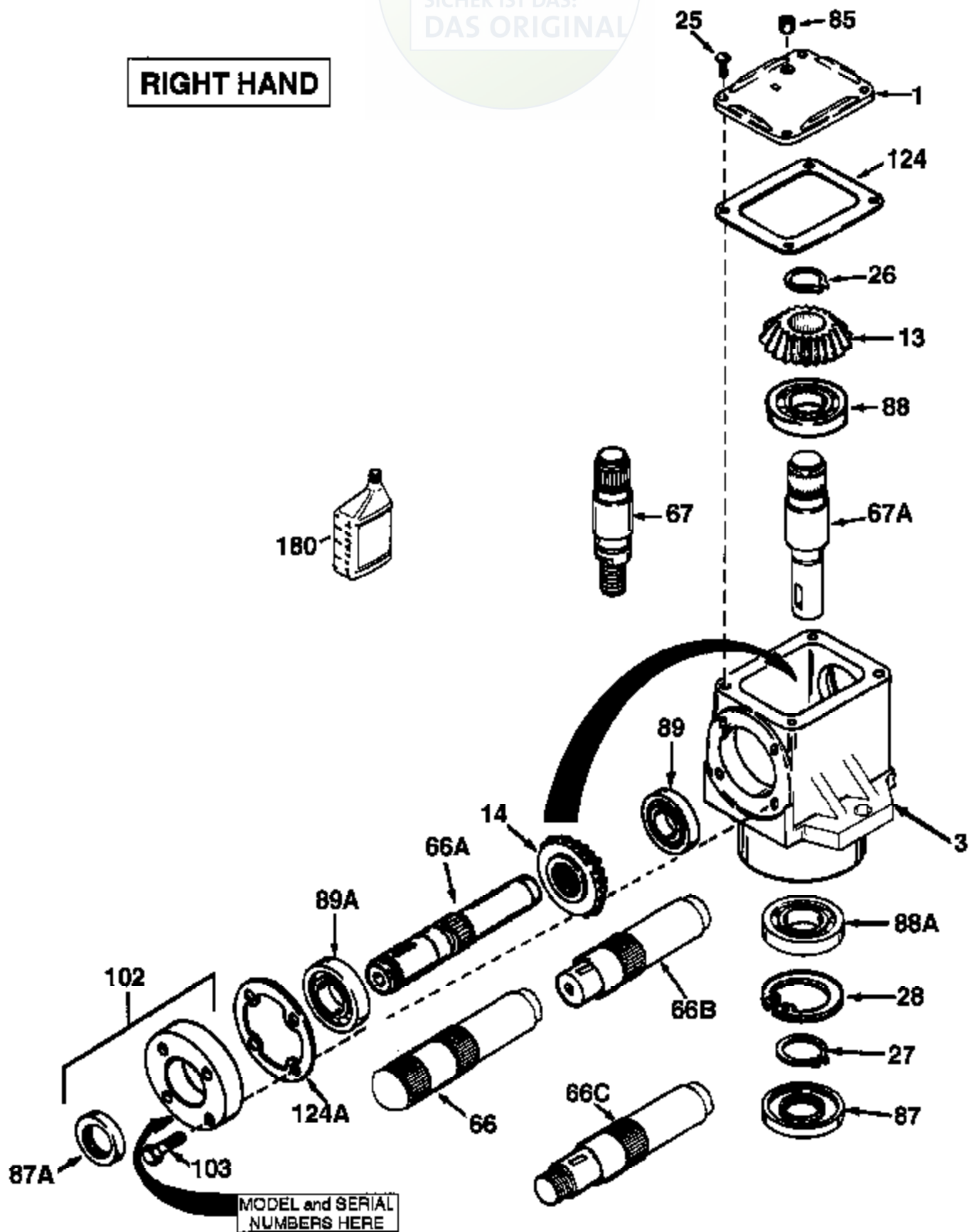


JOIST

SICHER IST DAS:
DAS ORIGINAL

RIGHT HAND





| Ref # | Part Number | Qty | Description |
|-------|-------------|-----|---------------------------------------|
| 1 | 772067 | 1 | Right Angle Drive Head Cover |
| 3 | 770093A | 1 | T Drive Housing |
| 13 | 778348 | 1 | Bevel Gear (15 teeth) |
| 14 | 778347 | 1 | Bevel Gear (18 teeth) |
| 25 | 792025 | 4 | Screw 10-24 x 1/2" |
| 26 | 788018 | 1 | Retainer Ring |
| 27 | 788019 | 1 | Retainer Ring |
| 28 | 792119 | 1 | Snap Ring |
| 66 | 776072A | 1 | Input Shaft (5-3/4" long) |
| 67 | 776383 | 1 | Output Shaft (4.259" long) |
| 85 | 792039 | 1 | Pipe Plug 1/8-27 |
| 87A | 788031 | 2 | Oil Seal 7/8" |
| 87 | 788029A | 1 | Oil Seal 7/8" |
| 89A | 780034 | 4 | Ball Bearing (.8745) |
| 102 | 786029 | 2 | Retainer Cap & Seal (Incl. 87A & 103) |
| 103 | 792026 | 8 | Bolt 1/4-20 x 7/8" |
| 124A | 788030B | 2 | Retainer Gasket |
| 124 | 788028 | 1 | Gasket |

1000-1000-09 Page 2 of 2
Peerless Oil Seal 7/8"